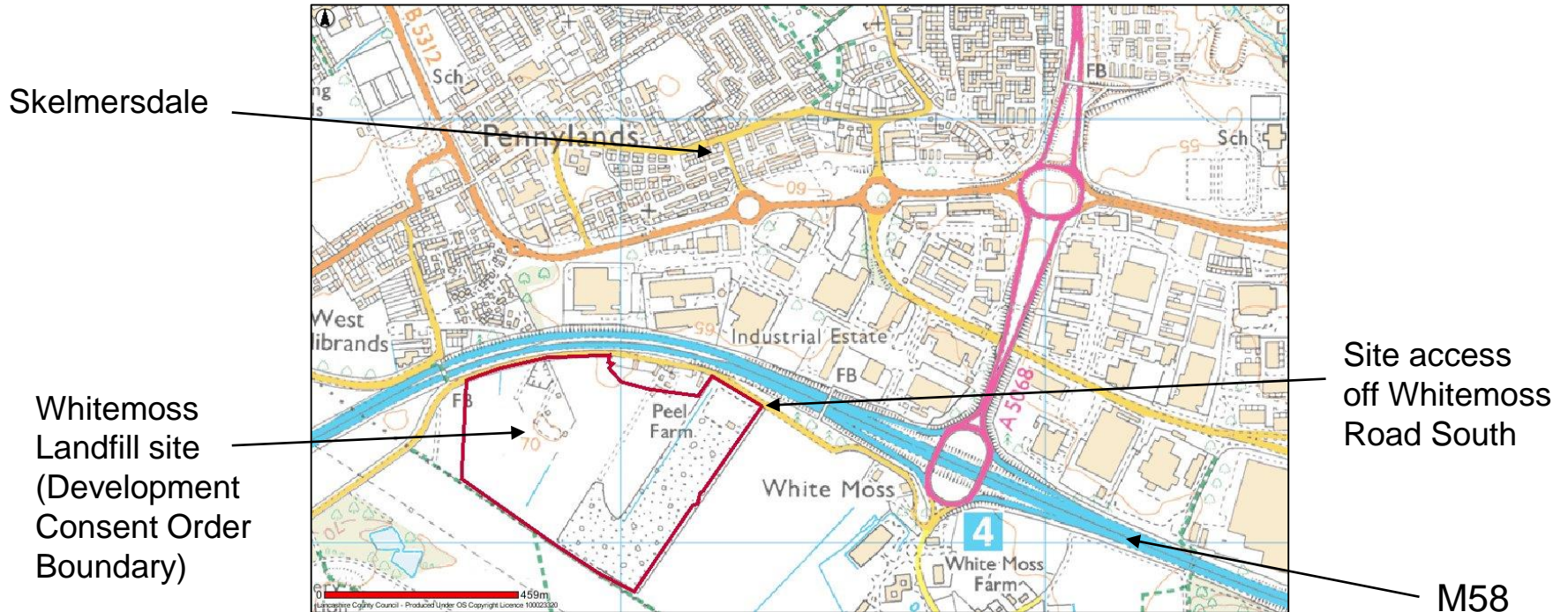


Planning Application LCC/2020/0030

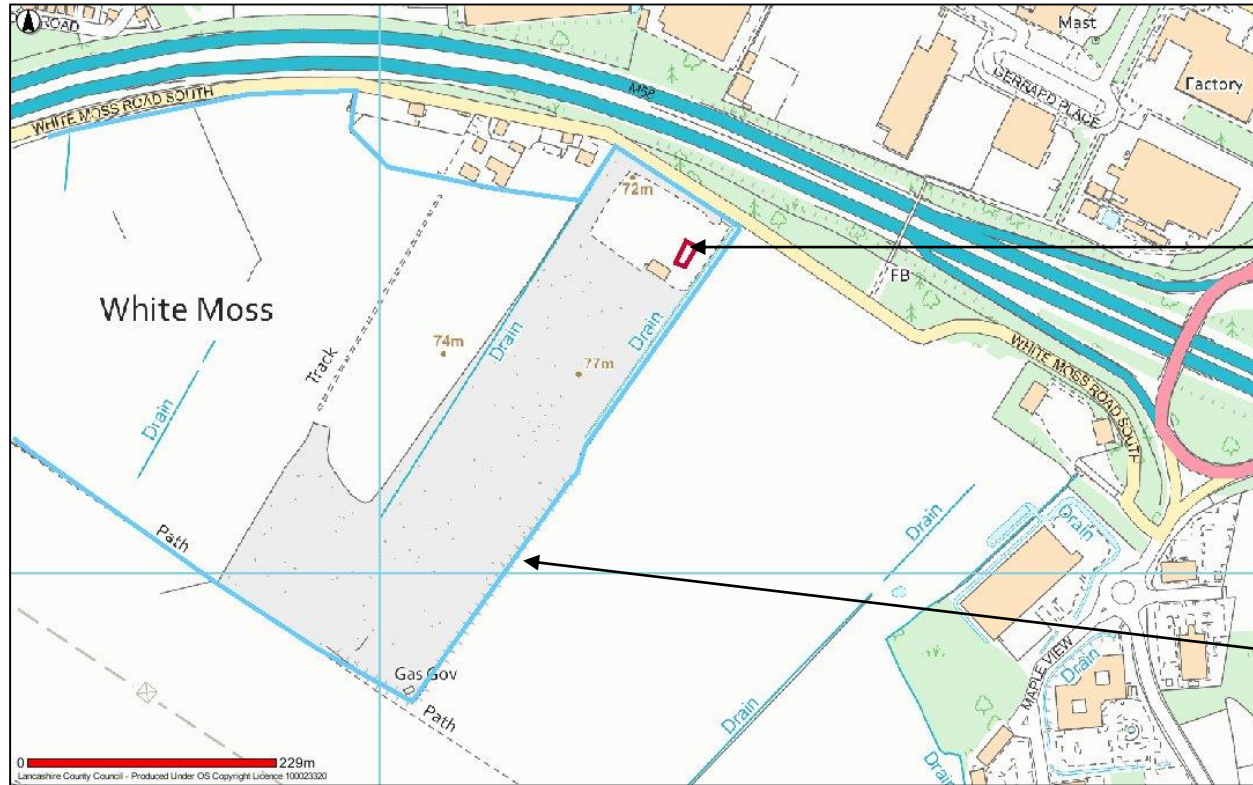
Retention of 3 no. silos

**Whitemoss Landfill Site, Whitemoss Road South,
Skelmersdale**

Planning application LCC/2020/0030



Planning application LCC/2020/0030



Silos
location

DCO
boundary

Planning application LCC/2020/0030

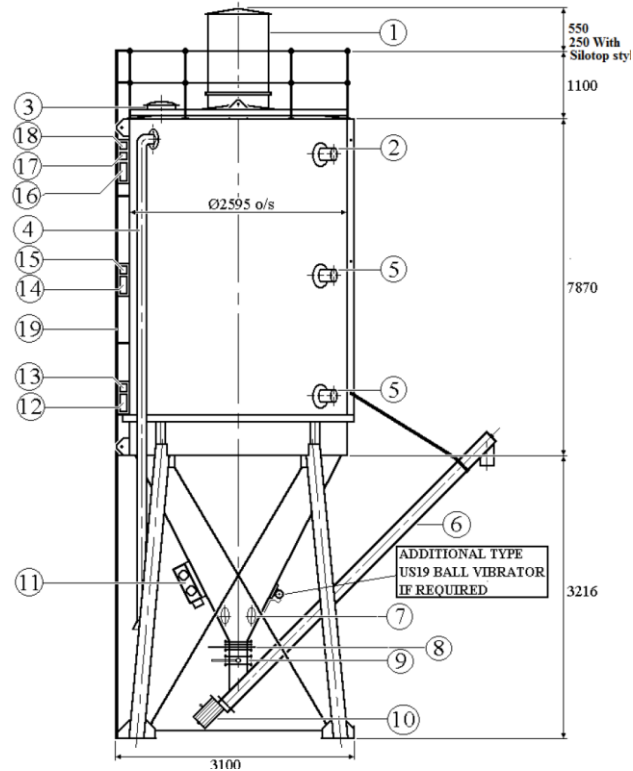
Landfill
Extension
Area (blue line
is DCO area)



Site access

Silos

Planning application LCC/2020/0030 – Elevations of Silos



Planning application LCC/2020/0030 – View from site access



Silos

Planning application LCC/2020/0030 – View across landfill cell

Active
Landfill
cell



Other wastes
being tipped
above bags of dust/ ash

Bags of dust / ash
being used above liner